

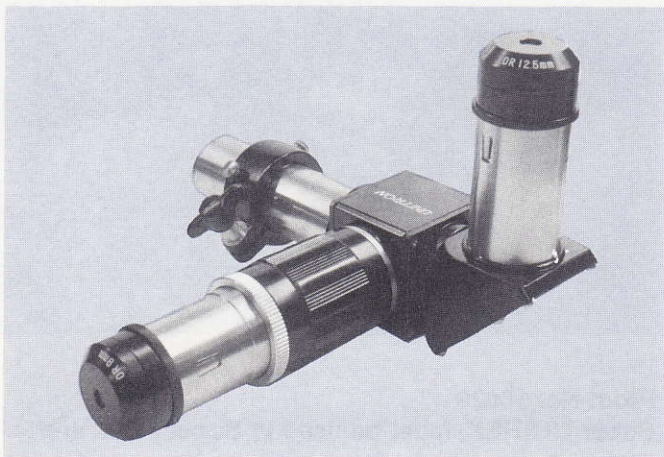
## DUETRON Double Eyepiece Holder

By utilizing a beam splitting prism, which directs half of the incoming light beam to each of two eyepieces, the Double Eyepiece Holder allows two observers to view through the telescope simultaneously. Naturally, the design of the DUETRON results in a somewhat dimmer image in the rearmost eyepiece. A focusing sleeve is provided so that the eyepieces used need not be of the same focal length. DUETRON is ideal for father and son or teacher and student teams and for those who purchase their Unitron in partnership. With DUETRON, more observers may be accommodated at star parties and the advanced members may provide valuable instruction to the beginners.



**Prod. No. 16622**

Model A DUETRON, for Unitrons: holds two oculars of 24.5 mm o.d.



**Prod. No. 16623**

Model B DUETRON, for 1¼-inch eyepiece holders: holds two oculars of 1¼-inch o.d.

*Specifications subject to change without notice.*